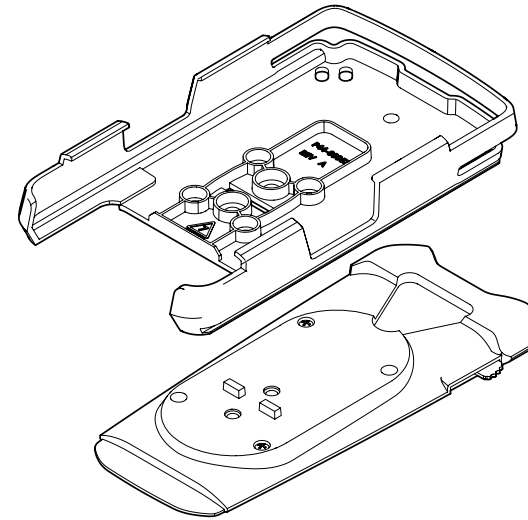


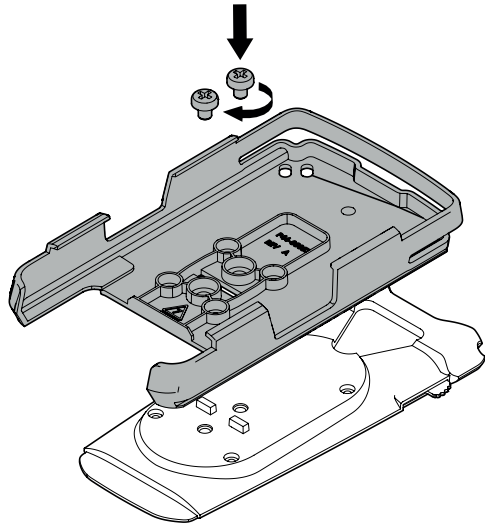
Duo for Mobile Computer

Installation Guide

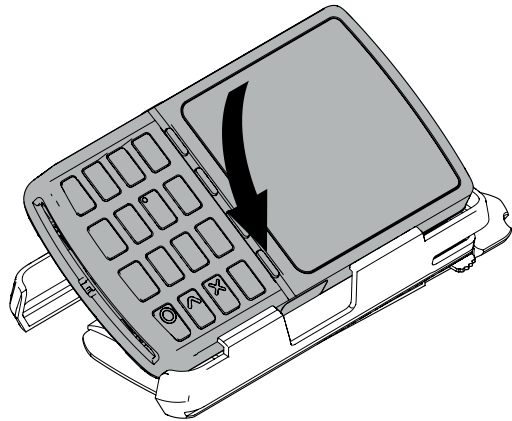


Mounting Payment Device

- 1 Assemble the M-Case*



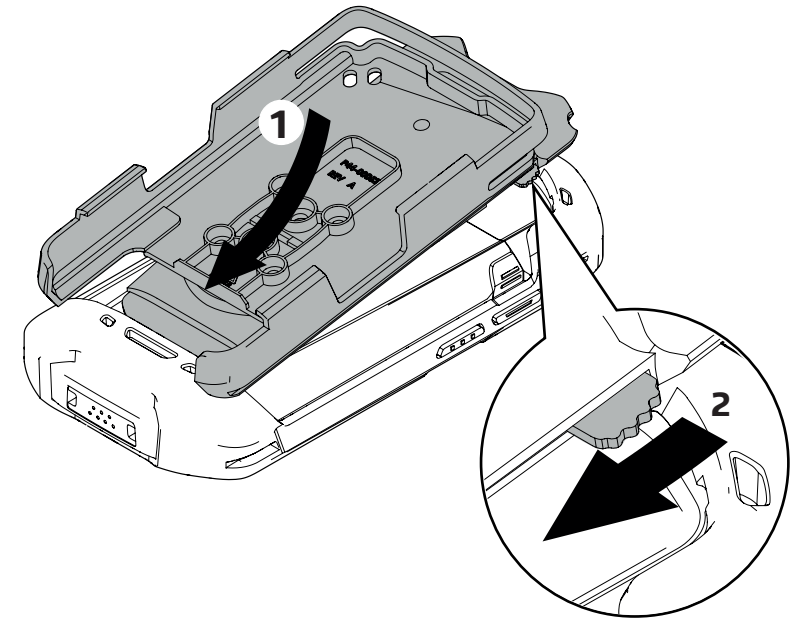
- 2 Insert device*



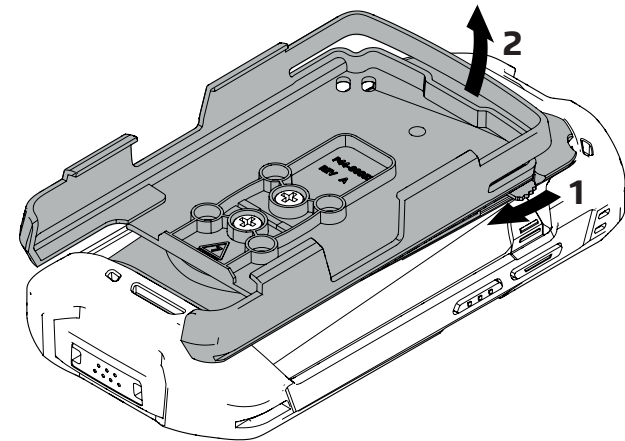
*Ingenico Link/2500i illustrated

Attach and remove payment device*

- 1 Attaching to the mobile computer case



- 2 Removing from the mobile computer case



*Ingenico Link/2500i illustrated